

PRELIMINARY DATASHEET

CGY2131UH

500mW 39-44 GHz Power Amplifier

DESCRIPTION

The CGY2131UH is a PHEMT GaAs Power Amplifier with output power of 27dBm (500mW) and more than 22dB of gain over the frequency range 39 to 44 GHz.

The 1dB compression point is 26 dBm with excellent linearity delivering an OIP3 of 34.5 dBm. DC power supply is typically 4.5V and PAE is above 15%

The CGY2131UH is manufactured using the D01PH GaAs PHEMT power process from OMMIC. This process has a 130nm gate length with a Ft of 110GHz and a Fmax of 180GHz.

The D01PH process used to manufacture the MMIC have been evaluated by ESA and is in the EPPL (European Preferred Part List). This very reliable process is suitable to manufacture power amplifiers dedicated to flight models in aerospace applications as well as high performance power amplifiers for terrestrial applications.

APPLICATIONS

- ▶ High performance GaAs Power Amplifier
- ▶ Earth-to-space or point-to-point radiolinks
- ▶ Backhaul networks
- ▶ Telecommunications
- ▶ RF Driver for High Power Amplifiers

FEATURES

- ▶ Usable frequency range from 39 to 44 GHz
- ▶ Psat > 500mW (27dBm)
- ▶ P1dB \simeq + 26dBm
- ▶ Gain \simeq + 22dB
- ▶ 50 Ohms input and output matched
- ▶ Delivered as 100 % on-wafer RF tested dies
- ▶ Samples and evaluation Boards Available
- ▶ Die size is 3.07 x 1.86 mm

The MMIC is available in the die form, OMMIC can deliver packaged version of the component.

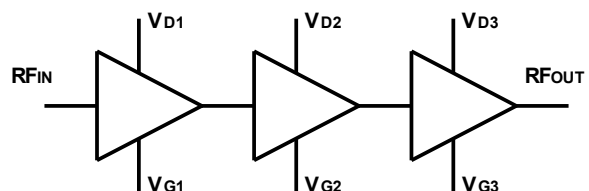


Figure 1: CGY2131 Power Amplifier block diagram

MAXIMUM VALUES

$T_{amb} = + 25 \text{ }^{\circ}\text{C}$, at Die backside; backside grounded, unless otherwise specified.

| Symbol | Parameter | Conditions | MIN. | MAX. | UNIT |
|--------------------------|----------------------|--|-------|-------|--------------------|
| V_{G1}, V_{G2}, V_{G3} | Gate voltage | V_{D1}, V_{D2}, V_{D3} left open | - 2.5 | 0 | V |
| V_{D1}, V_{D2}, V_{D3} | Drain voltage | V_{G1}, V_{G2}, V_{G3} left open | 0 | + 6 | V |
| I_{D1} | Drain current | $V_{D1,2,3} = 4.5\text{V}$ and $V_{G1,2,3} = -0,3\text{V}$ | | 200 | mA |
| I_{D2} | | | | 350 | |
| I_{D3} | | | | 500 | |
| P_{IN} | Input power | | | + 10 | dBm |
| T_{amb} | Ambient temperature | | - 40 | + 85 | $^{\circ}\text{C}$ |
| T_j | Junction temperature | | | + 175 | $^{\circ}\text{C}$ |
| T_{stg} | Storage temperature | | - 55 | + 85 | $^{\circ}\text{C}$ |

Operation of this device outside the parameter ranges may cause permanent damage

THERMAL CHARACTERISTICS

| Symbol | Parameter | Value | UNIT |
|---------------|---|-------|----------------------|
| $R_{th(j-a)}$ | Thermal resistance from junction to ambient (DC at T_{amb} max) | TBD | $^{\circ}\text{C/W}$ |

ELECTRICAL CHARACTERISTICS

$T_{amb} = + 25 \text{ }^{\circ}\text{C}$

| Symbol | Parameter | Conditions | MIN. | TYP. | MAX. | UNIT |
|---|------------------------------------|--|------|--------|------|------|
| RF_{in} | Input frequency | | 39 | | 44 | GHz |
| <i>Performances on Reference Board at $f_i = 42$ GHz</i> | | | | | | |
| $V_{D1,2,3}$ | Supply voltage | | | 4,5 | | V |
| I_{DD} | Total Supply current @ P_{sat} | $V_{G1,2,3} = - 0,3\text{V}$ | | 800 | | mA |
| G | Gain | $V_{G1,2,3} = - 0,3\text{V}$ | | + 20 | | dB |
| NF | Noise Figure | | | TBD | | dB |
| P1dB | 1dB compression point | $V_{G1,2,3} = - 0,3\text{V}$ | | + 26 | | dBm |
| P_{sat} | Saturated power | $V_{G1,2,3} = - 0,3\text{V}$ | | + 27,5 | | dBm |
| PAE | Power Added Efficiency | $V_{G1,2,3} = - 0,3\text{V}$ $RF_{IN} = + 10$ dBm | | 16 | | % |
| OIP3 | Output third order intercept point | $I_{D3} = 350$ mA | | + 34,5 | | dBm |
| IMD3 | 2 Carriers 14 dB below P1dB | | | - 44 | | dBc |
| ISO_{rev} | Reverse Isolation | RF_{OUT} / RF_{IN} | | - 43 | | dB |
| S_{11} | Input reflection coefficient | 50 Ohms | | - 6 | | dB |
| S_{22} | Output reflection coefficient | 50 Ohms | | - 9 | | dB |
| P_{OFF} | Leakage when HPA off | $RF_{IN} = + 10$ dBm $V_{G1,2,3} = - 2.5\text{V}$ | | - 30 | | dBm |

(*) Measurement reference planes are the INPUT and OUTPUT coaxial connectors.



Caution : This device is a high performance RF component and can be damaged by inappropriate handling. Standard ESD precautions should be followed. OMMIC document "OM-CI-MV/ 001/ PG" contains more information on the precautions to take.

On-Wafer measurements is the standard way of performing device testing but have inherently poor thermal conditions. Tests are performed under full biasing conditions and CW operation which combined with poor thermal conditions give a lower gain and P1dB compared to the MMIC's real performances with a good thermal heatsink..

S-PARAMETERS (SMITH CHARTS)

Conditions : $V_{D1} = V_{D2} = V_{D3} = 4.5V$, $V_{G1} = V_{G2} = V_{G3} = -0.3V$, ($I_{DQ1} = 100mA$, $I_{DQ2} = 190mA$, $I_{DQ3} = 280mA$), $T_{amb} = +25^{\circ}C$ (On-Wafer measurements)

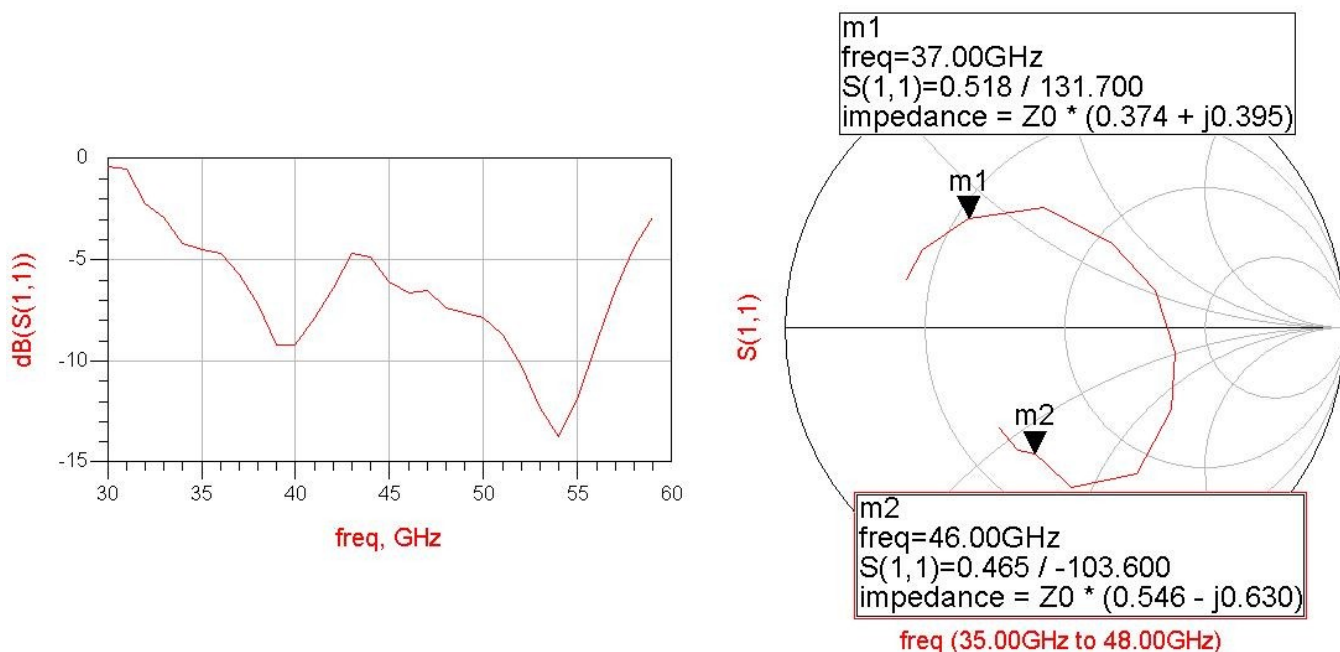


Figure 2: S11 parameter On Wafer measurements

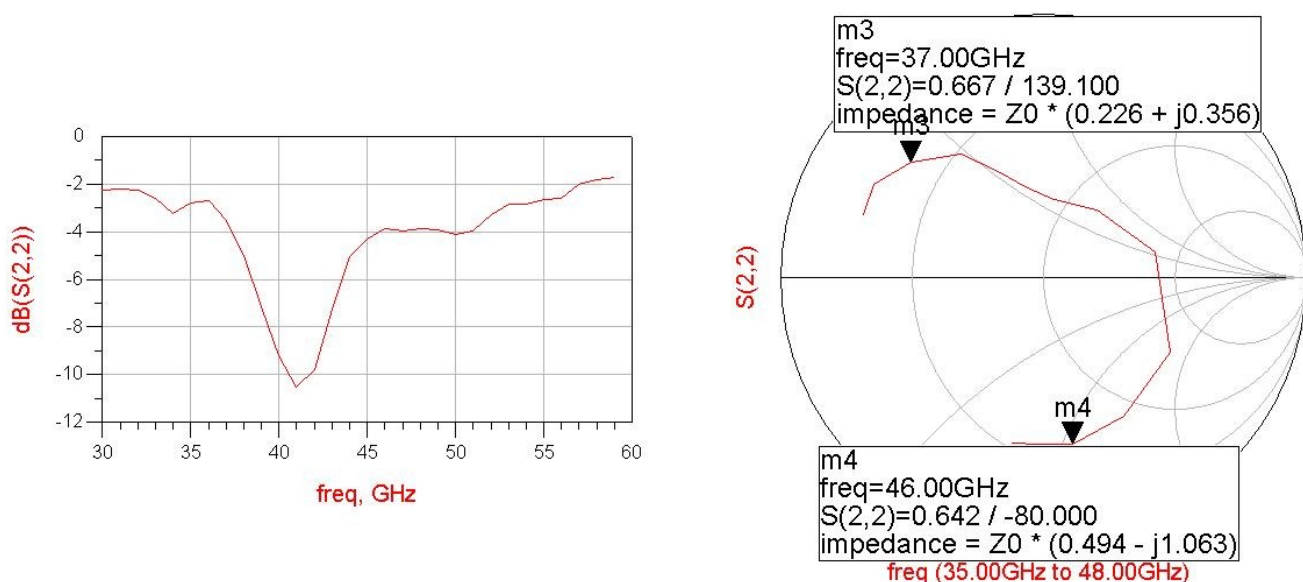


Figure 3: S22 parameter On Wafer measurements

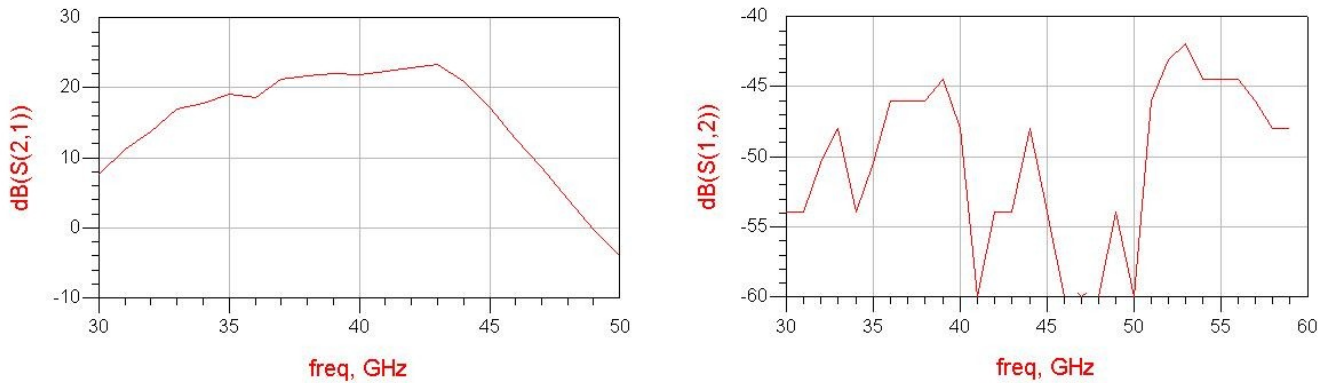


Figure 4: S21 and S12 parameter On Wafer measurements

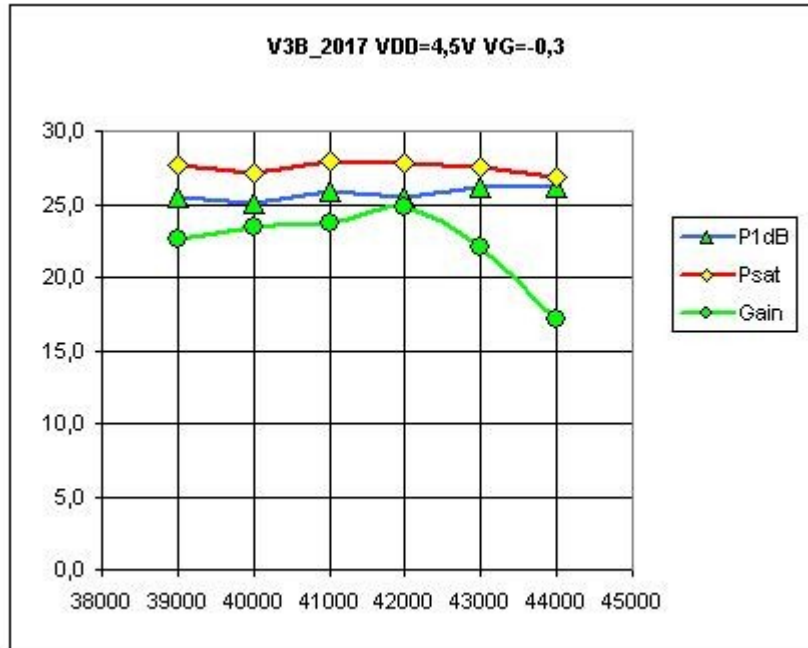
S-PARAMETERS (TABLE)

Conditions : $V_{D1} = V_{D2} = V_{D3} = 4.5V$, $V_{G1} = V_{G2} = V_{G3} = -0.3V$, ($I_{DQ1} = 100mA$, $I_{DQ2} = 190mA$, $I_{DQ3} = 280mA$), $T_{amb} = + 25^{\circ}C$ (On-Wafer measurements)

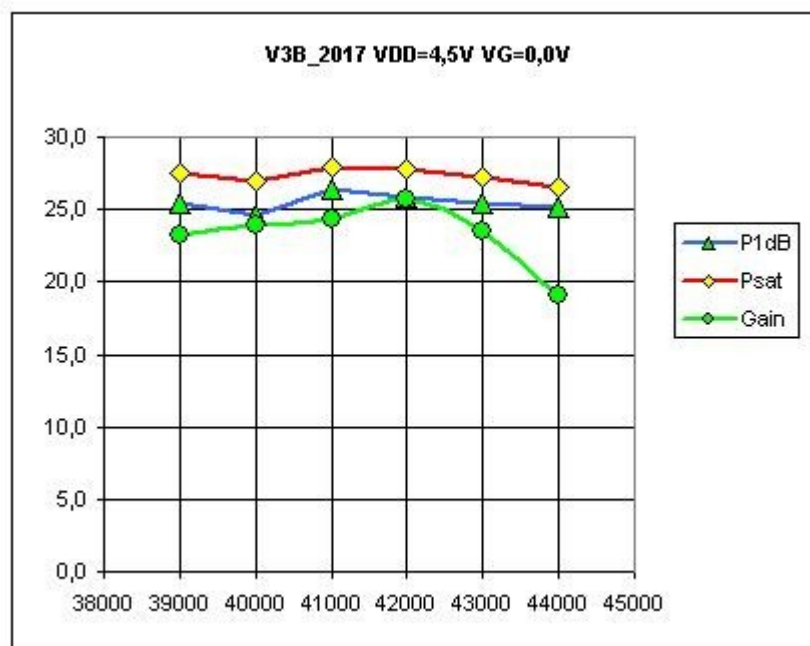
| GHz | S11 | S11 Phase | S21 | S21 Phase | S12 | S12 Phase | S22 | S22 Phase |
|------|-------|-----------|--------|-----------|--------|-----------|-------|-----------|
| 30.0 | 0.954 | -161.7 | 2.385 | 54.9 | 0.0020 | 131.5 | 0.772 | -179.9 |
| 31.0 | 0.941 | -171.5 | 3.610 | 25.2 | 0.0022 | 99.8 | 0.777 | 176.9 |
| 32.0 | 0.772 | 179.0 | 4.814 | -10.4 | 0.0029 | 104.4 | 0.770 | 171.7 |
| 33.0 | 0.713 | 173.2 | 6.982 | -53.9 | 0.0043 | 104.1 | 0.740 | 162.5 |
| 34.0 | 0.618 | 166.4 | 7.745 | -90.2 | 0.0025 | 67.1 | 0.690 | 167.6 |
| 35.0 | 0.594 | 163.0 | 8.954 | -137.0 | 0.0031 | 49.9 | 0.724 | 161.0 |
| 36.0 | 0.581 | 151.6 | 8.541 | -175.7 | 0.0046 | 47.7 | 0.735 | 151.3 |
| 37.0 | 0.518 | 131.7 | 11.495 | 148.1 | 0.0054 | 62.3 | 0.667 | 139.1 |
| 38.0 | 0.436 | 100.4 | 12.162 | 99.6 | 0.0055 | 19.3 | 0.562 | 123.8 |
| 39.0 | 0.345 | 61.1 | 12.546 | 58.2 | 0.0065 | -9.9 | 0.439 | 113.3 |
| 40.0 | 0.346 | 22.1 | 12.431 | 15.4 | 0.0045 | -45.5 | 0.347 | 100.6 |
| 41.0 | 0.403 | -12.8 | 13.122 | -28.1 | 0.0011 | -26.3 | 0.298 | 82.4 |
| 42.0 | 0.479 | -37.8 | 13.756 | -74.9 | 0.0021 | 34.6 | 0.324 | 51.4 |
| 43.0 | 0.582 | -63.7 | 14.504 | -132.9 | 0.0025 | -10.4 | 0.434 | 12.6 |
| 44.0 | 0.572 | -88.1 | 10.977 | 166.5 | 0.0037 | -27.5 | 0.561 | -30.6 |
| 45.0 | 0.494 | -97.9 | 7.137 | 110.1 | 0.0024 | -37.6 | 0.610 | -60.2 |
| 46.0 | 0.465 | -103.6 | 4.305 | 68.7 | 0.0015 | -97.9 | 0.642 | -80.0 |
| 47.0 | 0.470 | -111.1 | 2.698 | 26.7 | 0.0005 | -116.0 | 0.632 | -91.7 |
| 48.0 | 0.427 | -124.2 | 1.594 | -2.2 | 0.0010 | 106.5 | 0.642 | -101.2 |
| 49.0 | 0.415 | -126.0 | 0.956 | -33.2 | 0.0018 | 42.2 | 0.637 | -106.1 |
| 50.0 | 0.403 | -135.9 | 0.632 | -57.8 | 0.0007 | -28.5 | 0.622 | -116.5 |
| 51.0 | 0.366 | -148.5 | 0.449 | -84.1 | 0.0052 | 82.2 | 0.632 | -105.4 |
| 52.0 | 0.307 | -166.9 | 0.235 | -109.4 | 0.0066 | 34.6 | 0.686 | -111.2 |
| 53.0 | 0.242 | 165.6 | 0.269 | -139.2 | 0.0082 | 5.6 | 0.723 | -115.8 |
| 54.0 | 0.205 | 127.8 | 0.148 | -158.0 | 0.0055 | -2.2 | 0.720 | -118.8 |
| 55.0 | 0.254 | 75.7 | 0.144 | 162.7 | 0.0059 | -36.1 | 0.737 | -121.5 |
| 56.0 | 0.354 | 40.3 | 0.094 | 142.8 | 0.0055 | -23.9 | 0.743 | -123.5 |
| 57.0 | 0.474 | 16.0 | 0.024 | 113.2 | 0.0052 | -55.4 | 0.792 | -127.2 |
| 58.0 | 0.602 | -3.5 | 0.031 | 34.9 | 0.0037 | -45.4 | 0.810 | -129.6 |
| 59.0 | 0.713 | -16.3 | 0.022 | 167.3 | 0.0039 | -43.4 | 0.823 | -134.9 |

1DB COMPRESSION POINT, SATURATED POWER AND GAIN

Conditions : $V_{D1} = V_{D2} = V_{D3} = 4.5V$, $V_{G1} = V_{G2} = V_{G3} = -0.3V$, ($I_{DQ1} = 100mA$, $I_{DQ2} = 190mA$, $I_{DQ3} = 280mA$), $T_{amb} = +25^{\circ}C$ (On-Wafer measurements)



Conditions : $V_{D1} = V_{D2} = V_{D3} = 4.5V$, $V_{G1} = V_{G2} = V_{G3} = 0.0V$, ($I_{D1} = 170mA$, $I_{D2} = 310mA$, $I_{D3} = 430mA$), $T_{amb} = +25^{\circ}C$ (On-Wafer measurements)



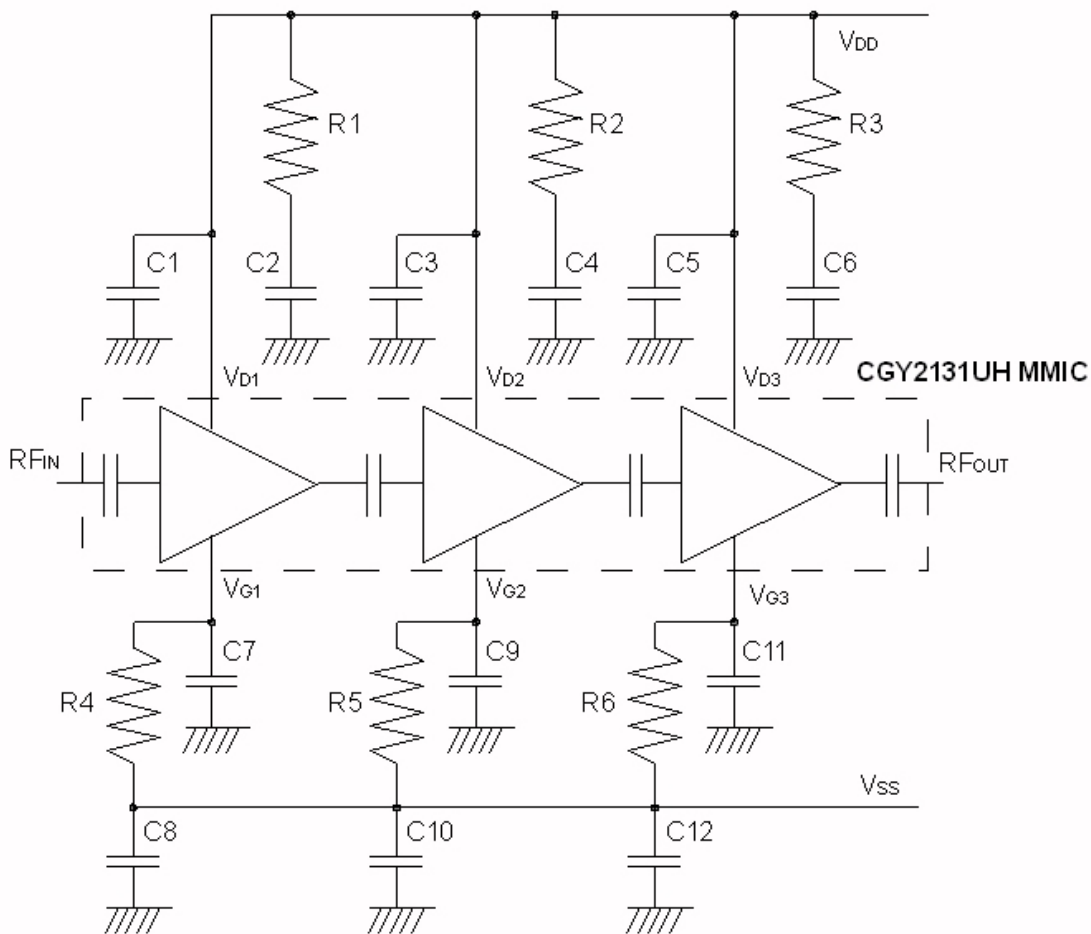
APPLICATION SCHEMATICS


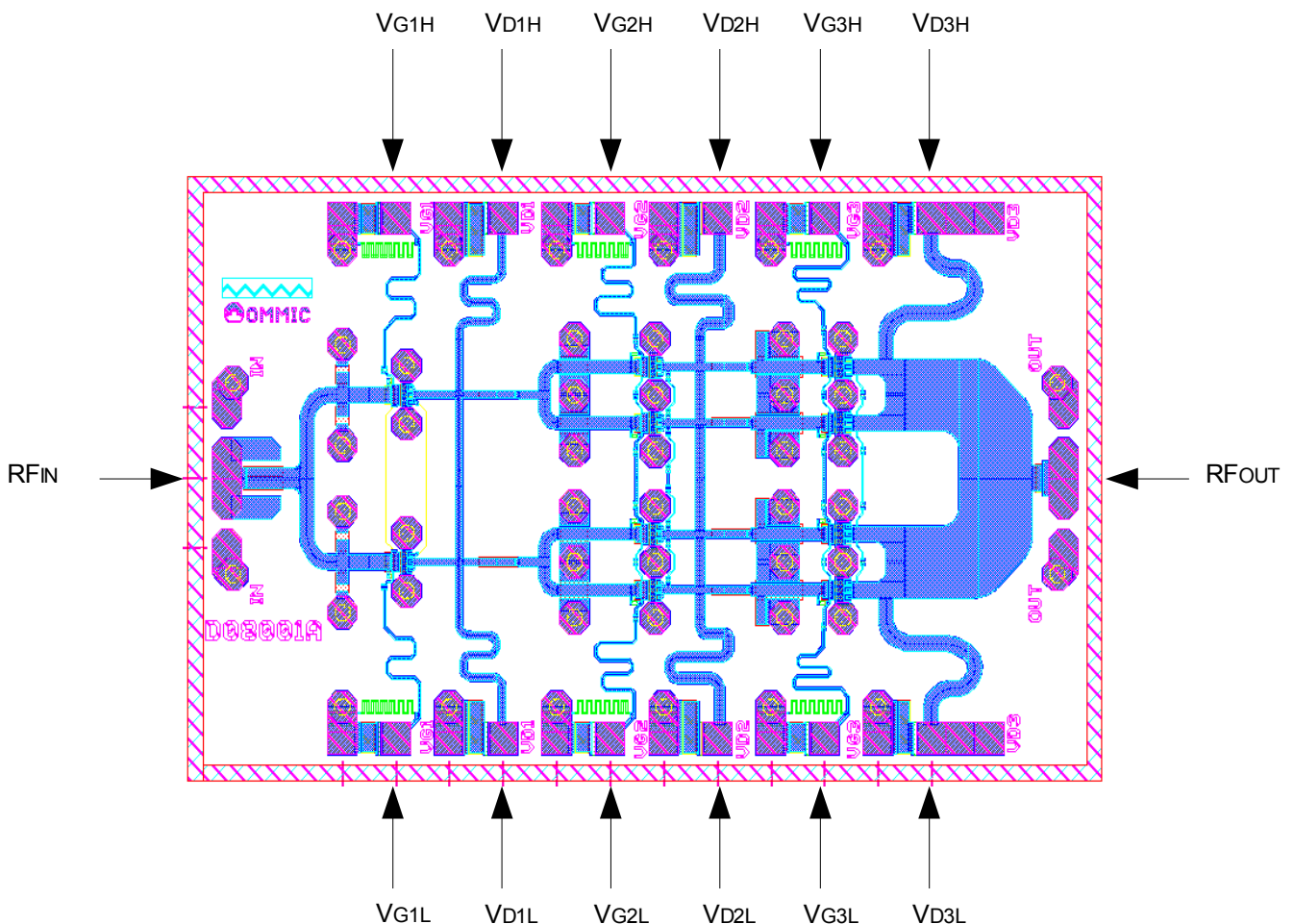
Figure 6 : APPLICATION SCHEMATICS

| Component NAME | Value | Type | Comment |
|----------------------------|-------|--------------------|---|
| C1, C3, C5 C7, C9, C11 | 47p | Chip Capacitor | Chip capacitor PRESIDIO COMPONENTS P/N SA151BX470M2HX5#013B soldered close to the die, bonding as short as possible |
| R1, R2, R3 | 39 | SMD 0603 Resistor | YAGEO (PHYCOMP) RC0603FR-0739RL |
| R4, R5, R6 | 100 | SMD 0603 Resistor | YAGEO (PHYCOMP) RC0603FR-07100RL |
| C2, C4, C6 C8, C10, C12 | 100n | SMD 0603 Capacitor | MURATA GRM188R71H104KA93D |

In order to save DC power consumption and improve PAE each gate can be individually driven at a different bias voltage. In this case, when using the targeted RF signal (modulated carrier), the distortion is monitored while adjusting V_{G1} , V_{G2} and V_{G3} . The global strategy is to introduce all the distortion allowed by the targeted standard in the last stage of the amplifier by adjusting V_{G3} while V_{G2} and V_{G1} are positioned in such a way that the I_{D2} , I_{D1} are kept at the minimum value corresponding to a neglectable contribution to the global distortion.

In order to validate each stage of the amplifier, with respect to the DC, it is recommended to set V_{GN} to $-1.5V$, then to set V_{DN} to $+1V$ checking that the current is not too high, after that, V_{DN} can be set to $+4.5V$. When V_{GN} is changed from -1.5 to $-0.3V$, the drain current I_{DN} increases slowly in a controlled manner to reach the typical targeted value.

DIE LAYOUT AND PIN CONFIGURATION



It is highly recommended to place 47pF RF decoupling chip capacitors C1, C3, C5, C7, C9, C11 at each DC terminal with as short as possible bonding wires. Additionally for power up, prior to apply drain voltage, gates voltages should be set to $V_G = -1,5$ volt. On shut down, reverse order operation should be performed.

The gate voltage of each stage, starting from the output stage should be adjusted to obtain the desired quiescent drain current.

PINOUT

| Symbol | Pad | Description |
|--------|------------------------------------|-------------------------------------|
| RFOUT | OUT | RF output |
| RFIN | PIN | RF input |
| VD1H | VD1 | First stage Drain (Higher Line-up) |
| VD2H | VD2 | Second stage Drain (Higher Line-up) |
| VD3H | VD3 | Third stage Drain (Higher Line-up) |
| VG1H | VG1 | First stage Gate (Higher Line-up) |
| VG2H | VG2 | Second stage Gate (Higher Line-up) |
| VG3H | VG3 | Third stage Gate (Higher Line-up) |
| VD1L | VD1 (internally connected to VD1H) | First stage Drain (Lower Line-up) |
| VD2L | VD2 (internally connected to VD2H) | Second stage Drain (Lower Line-up) |
| VD3L | VD3 (internally connected to VD3H) | Third stage Drain (Lower Line-up) |
| VG1L | VG1 (internally connected to VG1H) | First stage Gate (Lower Line-up) |
| VG2L | VG2 (internally connected to VG2H) | Second stage Gate (Lower Line-up) |
| VG3L | VG3 (internally connected to VG3H) | Third stage Gate (Lower Line-up) |
| GND | BACKSIDE | Ground |

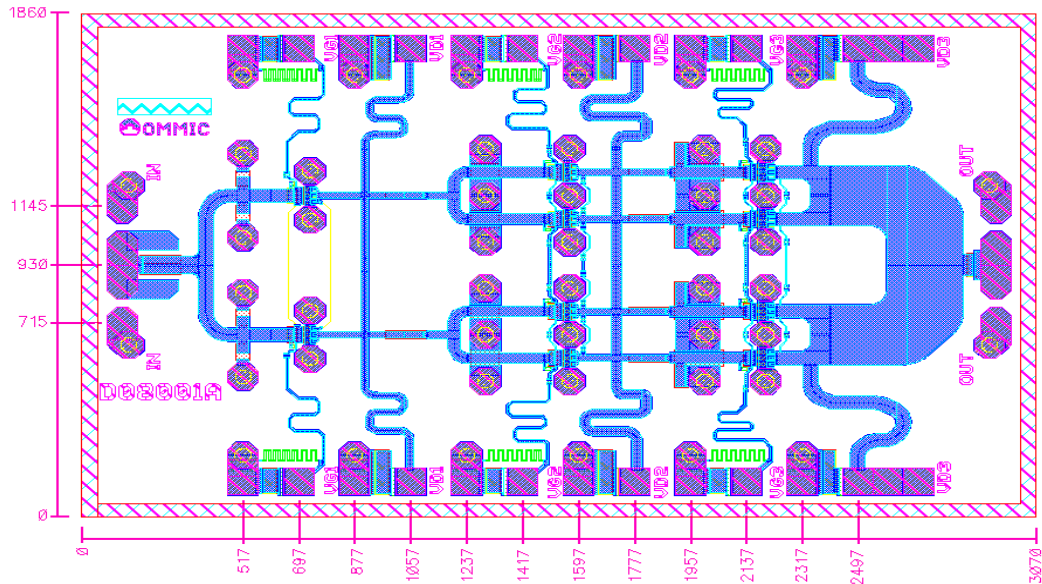
Note :

It is key in order to ensure good performance and stability that the ground pad present on the backside of the die is suitably connected to the ground.

PACKAGE

| Type | Description | Terminals | Pitch (mm) | Die size (mm) |
|------|--------------------------------|-----------|------------|-------------------|
| DIE | 100% RF and DC on wafer tested | 14 | - | 3.07 x 1.86 x 0.1 |

BONDING PAD COORDINATES



SOLDERING

During soldering process, to avoid permanent damages or impact on reliability, die temperature should never exceed 330°C.

Temperature in excess of 300°C should not be applied to the die longer than 1mn

Toxic fumes will be generated at temperatures higher than 400°C

DEFINITIONS

Limiting values definition

Limiting values given are in accordance with the Absolute Maximum Rating System (IEC 60134). Stress above one or more of the limiting values may cause permanent damage to the device. These are stress ratings only and operation of the device at these or at any other conditions above those given in the Characteristics sections of the specification is not implied. Exposure to limiting values for extended periods may affect device reliability.

Application information

Applications that are described herein for any of these products are for illustrative purposes only. OMMIC makes no representation or warranty that such applications will be suitable for the specified use without further testing or modification.

DISCLAIMERS

Life support applications

These products are not designed for use in life support appliances, devices, or systems where malfunction of these products can reasonably be expected to result in personal injury. OMMIC's customers using or selling these products for use in such applications do so at their own risk and agree to fully indemnify OMMIC for any damages resulting from such application.

Right to make changes

OMMIC reserves the right to make changes, without notice, in the products, including circuits, standard cells, and/or software, described or contained herein in order to improve design and/or performance. OMMIC assumes no responsibility or liability for the use of any of these products, conveys no licence or title under any patent, copyright, or mask work right to these products, and makes no representations or warranties that these products are free from patent, copyright, or mask work right infringement, unless otherwise specified.

ORDERING INFORMATION

| Generic type | Package type | Version | Sort Type | Description |
|--------------|--------------|---------|-----------|-----------------------|
| CGY2131 | UH | C1 | | On-Wafer measured Die |



Document History :

Version 1.0, Last Update 26/07/2010

Version 1.0, Demo board Update 14/09/2011